



BU MILPROF

**LISTE PIECES DETACHEES
SPARE PARTS LIST**

MK 3 GR

APRIL 2002



ZODIAC INTERNATIONAL

DIVISION MARINE

STANDARD EQUIPMENT

FABRIC

- . buoyancy tubes : gray , 940 dtx, polyamid, hypalon neoprene
- . bottom : black, 940 dtx, polyamid, hypalon neoprene
- . keel : black, 940 dtx, polyamid, hypalon neoprene

TRANSOM BLACK VARNISHED MARINE PLYWOOD

- . self-bailer : 2
- . wheel fixation plates, stainlees steel : 2
- . aluminium engine mounting plate : 1
- . engine transom pad (marine plywood) black : 1
- . tramson triangular deflector : 2

FLOORBOARD

- . anti-skid floorboard (anolised aluminium) : 3 parts
- . bow floorboard (marine plywood) : 2
- . stringers, anodised aluminium : 2

VALVES

- . buoyancy tubes intercommunication / inflation valves : 4
- . keel inflation valve : 1

REINFORCEMENTS

- . teardrop peripheric rubbing strake : 1
- . upper non-slip reinforcement panels : 2
- . large transom ovoid reinforcement : 940 dtx (PA)
- . rubbing strakes underneath keel : 1
- . rubbing strakes underneath tubes : 2 + 2
- . transom stainless steel protection shoe : 1

THIS MATERIAL CONTAINS PROPRIETARY DATA BELONGING TO ZODIAC INTERNATIONAL . UNAUTHORIZED DISCLOSURE, USE OR REPRODUCTION WILL RESULT IN LIABILITY. ZODIAC RESERVES THE RIGHT TO CHANGE THE SPECIFICATIONS OF THIS TECHNICAL DATA SHEET WITHOUT NOTICE.

Erreur ! Argument de commutateur inconnu. Dimensions and weight + or - 3 % (5% on prototype)page Erreur ! Argument de commutateur inco



ZODIAC INTERNATIONAL

DIVISION MARINE

HANDLING

. carrying handles, molded PVC :	4
. bow handle (nickel brass with black coating) :	1
. exterior lifeline :	all around
. pilot grab handle :	2
. interior small D rings (stainless steel with black coating) :	4

TOWING

. bow large towing D ring (stainless steel with black coating) :	2
------------------------------------------------------------------	---

OTHER EQUIPMENT

. foot bellows + hose :	1
. repair kit with pressure indicator :	1
. paddles :	2
. Zodiac aft flag and mast :	1
. storage bag :	2

THIS MATERIAL CONTAINS PROPRIETARY DATA BELONGING TO ZODIAC INTERNATIONAL . UNAUTHORIZED DISCLOSURE, USE OR REPRODUCTION WILL RESULT IN LIABILITY. ZODIAC RESERVES THE RIGHT TO CHANGE THE SPECIFICATIONS OF THIS TECHNICAL DATA SHEET WITHOUT NOTICE.

Erreur ! Argument de commutateur inconnu. Dimensions and weight + or - 3 % (5% on prototype)page Erreur ! Argument de commutateur inconnu

OPTIONS MK 3 GR

Code	Désignation	Designation
	Options	Options
Z1418	CONSOLE JOCK + CABL 10' BLANC	JOCKEY CONSOLE WH + 10' CABL
Z1443	CONSOLE JOCKEY 1P MARGEKO	JOCKEY CONSOLE 1P MARGEKO
Z1198	RESER 35L NOIR	BLACK FUEL TANK 35L
Z1199	RESER 70L NOIR	BLACK FUEL TANK 70L
Z1977	RESERVOIR SOUPLE 18USG MAR	FUEL BLADDER MARINE 18USG
Z1978	RESERVOIR SOUPLE 6USG MAR	FUEL BLADDER MARINE 6USG
Z1883	CHARIOTS(4) + SANGLE NOIRE	BLK RUNNER/STRAP (4) kit
Z1112	Plaque support de réservoir	Fuel tank support
Z1290	Roues ECO	Economy wheels
Z1282	CHARIOT AV INOX	BOW LAUNCHING WHEELS
Z2973	Sangles de remorquage 6/10 H GR F470	Towing straps
Z63030	V REMORQUAGE RIBO/FRB600	TOWING V RIBO/FRB600
Z1052	ECELLE DE BAIN SPT BOATS	BATHING LADDER SPT BOATS
Z1986	Pochette accessoires F530 PVC	Bow Access pouch F530 PVC
Z3351	SAC MOT ETANCHE MT DIR	WATERPROOF BAG O/B MOTOR FLOAT
Z3392	SAC MOT ETANCHE MT IND	WATERPROOF BAG O/B MOTOR
Z2394	BACHE MK3 SCG NOIRE	COVER MK3 SCG BLACK

**LISTE ARTICLES RECOMMANDES BORD MK 3 GR
MK 3 GR SPARE PART RECOMMANDED ON BOARD**

Code	Désignation	Designation	Qté / Qty
	Composants flotteur	Buoyancy tube components	
Z2221	Bouchon vide vite équipé (10)	<i>Plug Self Bailer (10)</i>	1 unit
Z2204	Membrane vide vite (20)	<i>Self Bailer Diaphragm (20)</i>	2 unit
-	Clapet de gonflement quille	<i>Keel inflation valve</i>	
Z2846	. Bouchon clapet DELRIN (10)	. <i>Cap Black Valve (10)</i>	1 unit
Z2847	. Support clapet DELRIN (10)	. <i>DELRIN Black Valve (10)</i>	1 unit
-	Valve d'intercommunication	<i>I/C Valve</i>	
Z2108	. Bouchon clapet nickelé / valve d'intercom. (10)	. <i>Cap Nickel Plate Valve (10)</i>	1 unit
Z2107	. Corps de clapet nickelé (10)	. <i>Valve Nickel Plate (10)</i>	1 unit
Z2240	. Jonc volant robinet d'intercommunication (10)	. <i>Ring I/C Valve (10)</i>	1 unit
Z2109	. Volant nickelé robinet d'intercomm. (10)	. <i>Nickel Plate Fly Wheel (10)</i>	
	Accessoires	<i>Accessories</i>	
Z6732	Valise de réparation néoprène ZODIAC	<i>Repair Kit Neo ZODIAC</i>	1
Z1424	Indicateur de pression	<i>Pressure indicator</i>	1
Z3891	Gonfleur à pied double débit	<i>Foot Pump Double Stage</i>	1

**LISTE ARTICLES RECOMMANDES NAVIRE MK 3 GR
MK 3 GR SPARE PART RECOMMANDED ON VESSEL**

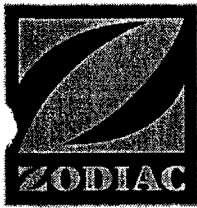
Code	Désignation	Designation	Qté / Qty
	Composants flotteur	Buoyancy tube components	
Z2997	Poignée avant TRG noire STRG	<i>Bow Carrying Handle Black NM</i>	1
Z2999	AD 53 noir ovale STR (2)	<i>53 D Ring Oval. Black STR (2)</i>	1
Z3873	Profilé d'échouage 60 x 3 néo (11,5 m)	<i>Rubbing Strake 60X3 Neo (11,5 m)</i>	1
Z2156	Pagaie vernie	<i>Varnished Paddle (1M40)</i>	1
Z2226	Poche valve de gonflement noire	<i>Black Valve Pocket</i>	1
Z6167	AD 25 noir rond (6)	<i>Black D Ring 25 mm (6)</i>	1
Z2590	Support pagaie (jeu de deux éléments)	<i>Wooden Paddle Support (2 elements)</i>	2
Z7153	Antidérapant GR (200 mm / ML)	<i>Non Slip Band GR (200 mm / ML)</i>	3 m
Z3729	Plaque tableau MK3 GR Noire	<i>Black Wooden Transom Pad MKIII GR</i>	1
Z2221	Bouchon vide vite équipé (10)	<i>Plug Self Bailer (10)</i>	1
Z2204	Membrane vide vite (20)	<i>Self Bailer Diaphragm (20)</i>	1
Z2994	Poignée latérale droite noire	<i>Carry Handle Black Right</i>	1
Z2995	Poignée latérale gauche noire	<i>Carry Handle Black Left</i>	1
Z3784	Poignée maintien GR noire	<i>GR Handle</i>	1
Z3019	Flatline polyamide noire d = 14) (25 m)	<i>Flatline Black Polyamide Cord D14 (25 m)</i>	5 m
Z3500	Quille MK3 GR néo	<i>Keel MK3 GR</i>	1
Z60028	Fanion ZODIAC (2)	<i>Pennant ZODIAC (2)</i>	1
Z2194	Hampe fanion avec vis (5)	<i>Pen Mast Base With Screw (5)</i>	1
Z2191	Embase hampe (10)	<i>Pennant Mast Base (10)</i>	2 unit
Z2099	Plaque support moteur MK3/4GR/4HD	<i>Motor Transom Pad MK3GR/4GR/4HD</i>	1
Z2253	Protection inox tableau MK2 / MK3 GR	<i>SS transom protection MK2 / MK3 GR</i>	1
-	Clapet de gonflement quille	Keel inflation valve	
Z2846	. Bouchon clapet DELRIN (10)	<i>. Cap Black Valve (10)</i>	1
Z2847	. Support clapet DELRIN (10)	<i>. DELRIN Black Valve (10)</i>	1
-	Valve d'intercommunication	I/C Valve	
Z2108	. Bouchon clapet nickelé / valve d'intercom.	<i>. Cap Nickel Plate Valve (10)</i>	1
Z2107	. Corps de clapet nickelé (10)	<i>. Valve Nickel Plate (10)</i>	1
Z2864	.. Joint plat corps de clapet (10)	<i>.. Gasket Metal Valve (10)</i>	1
Z2195	.. Membrane clapet (30)	<i>.. Diaphragm Valve Insert (30)</i>	1
Z2240	. Jonc volant robinet d'intercommunication (10)	<i>. Ring I/C Valve (10)</i>	1
	Accessoires	Accessories	
Z3792	Sac accessoires T2	<i>Bag Floorboard Size 2</i>	
Z3790	Sac embarcation T3	<i>Carrying Boat Bag Size 3</i>	
Z6732	Valise de réparation néoprène ZODIAC	<i>Repair Kit Neo ZODIAC</i>	1
Z1424	Indicateur de pression	<i>Pressure indicator</i>	1
Z6854	Raccord valve embarcation / tuyau de gonfleur	<i>Coupling Recessed Valve</i>	1
Z3891	Gonfleur à pied double débit	<i>Foot Pump Double Stage</i>	1
Z2908	Tuyau de gonfleur jaune 3891/2907	<i>Bellows Hose F/3891/2907</i>	1

**LISTE ARTICLES RECOMMANDES ARSENAL MK 3 GR
MK 3 GR SPARE PART RECOMMENDED NAVY WORKSHOP**

Code	Désignation	Designation	Qté / Qty
	Composants flotteur	Buoyancy tube components	
Z60018	Sigle ZODIAC PM	Logo ZODIAC Bow	1
Z2997	Poignée avant TRG noire STRG	Bow Carrying Handle Black NM	2
Z3067	Profilé défense HD noir néo (15,4 m)	Fender HD Neo (15,4 m)	1
Z2999	AD 53 noir ovale STR (2)	53 D Ring Oval. Black STR (2)	2
Z3289	Corde d'amarrage D14 noire (25 m)	Black Polyamide Cord D14 (25 m)	1
Z3873	Profilé d'échouage 60 x 3 néo (11,5 m)	Rubbing Strake 60X3 Neo (11,5 m)	2
Z2156	Pagaie vernie	Varnished Paddle (1M40)	2
Z2226	Poche valve de gonflement noire	Black Valve Pocket	1
Z6167	AD 25 noir rond (6)	Black D Ring 25 mm (6)	1
Z2590	Support pagaie (jeu de deux éléments)	Wooden Paddle Support (2 elements)	2
Z2222	Capuchon robinet gris (10)	I/C Valve Cover (10)	1
Z7153	Antidérapant GR (200 mm / ML)	Non Slip Band GR (200 mm / ML)	10 m
Z3729	Plaque tableau MK3 GR Noire	Black Wooden Transom Pad MKIII GR	3
Z2600	Bouchon de cône néo noir	Moulded Aft Cone Hyp/Neo	1
Z2862	Kit ferrure de roue	Kit Lock Plate Wheel	1
Z2221	Bouchon vide vite équipé (10)	Plug Self Bailer (10)	1
Z2204	Membrane vide vite (20)	Self Bailer Diaphragm (20)	1
Z2218	Embase vide vite équipée (10)	Self Bailer Base (10)	1
Z60019	Sigle ZODIAC latéral	Logo Zodiac Side	1
Z2994	Poignée latérale droite noire	Carry Handle Black Right	1
Z2995	Poignée latérale gauche noire	Carry Handle Black Left	1
Z3784	Poignée maintien GR noire	GR Handle	1
Z3019	Flatline polyamide noire d = 14) (25 m)	Flatline Black Polyamide Cord D14 (25 m)	1
Z3500	Quille MK3 GR néo	Keel MK3 GR	2
Z3326	Coin de tableau néo (jeu de 30)	Neo side transom (set of 30)	1
Z7016	Profilé tableau néo 35 x 8 x 1 (2 m)	Rubbig Strake Trap (2 m)	1
Z60028	Fanion ZODIAC (2)	Pennant ZODIAC (2)	1
Z2194	Hampe fanion avec vis (5)	Pen Mast Base With Screw (5)	1
Z2189	Ecrou embase hampe (10)	Nut Base Pen Mast (10)	1
Z2191	Embase hampe (10)	Pennant Mast Base (10)	1
Z2241	Rondelle appui (10)	Washer Inox, Transom (10)	1
Z2099	Plaque support moteur MK3/4GR/4HD	Motor Transom Pad MK3GR/4GR/4HD	1
Z3787	Tableau MK3 noir	Transom MK3GT/3GR Black	1
Z3411	Barre de retenue caillebotis	Floorboard Retaining Batten	1
Z2253	Protection inox tableau MK2 / MK3 GR	SS transom protection MK2 / MK3 GR	1
-	Clapet de gonflement quille	Keel inflation valve	
Z2846	. Bouchon clapet DELRIN (10)	. Cap Black Valve (10)	1
Z2847	. Support clapet DELRIN (10)	. DELRIN Black Valve (10)	1
Z3292	. Ecrou embase DELRIN (10)	. DELRIN Collar Nut (10)	1
Z3293	. Rondelle embase DELRIN (10)	. Gasket Insert DELRIN Base (10)	1
Z3001	. Joint embase clapet (25)	. Gasket Insert Base Neoprene (25)	1
Z3294	. Embase femelle carré DELRIN (10)	. DELRIN Valve Insert Base (10)	1
-	Valve d'intercommunication	I/C Valve	
Z2108	. Bouchon clapet nickelé / valve d'intercomm. (10)	. Cap Nickel Plate Valve (10)	1
Z2213	.. Joint bouchon clapet nickelé (20)	.. Gasket Valve Cap (20)	1
Z2107	. Corps de clapet nickelé (10)	. Valve Nickel Plate (10)	1
Z2864	.. Joint plat corps de clapet (10)	.. Gasket Metal Valve (10)	1
Z2195	.. Membrane clapet (30)	.. Diaphragm Valve Insert (30)	1
Z2240	. Jonc volant robinet d'intercommunication (10)	. Ring I/C Valve (10)	1
Z2109	. Volant nickelé robinet d'intercomm. (10)	. Nickel Plate Fly Wheel (10)	1
Z2237	. Ecrou robinet d'intercommunication (10)	. Nut I/C Valve Base (10)	1
Z2238	. Rondelle robinet d'intercommunication (10)	. Washer I/C Valve (10)	1
Z3000	. Joint néoprène 65 x 36 x 1 (25)	. Gasket Valve (25)	1
Z2239	. Robinet assemblé valve d'intercommunication	. Intercommunicating Valve	1
Z2208	.. Ecrou frein D6 / valve d'intercomm. (10)	.. SIMMONDS Nut Valve (10)	1
Z2236	.. Rondelle / ressort robinet (10)	.. Gasket Cap Spring (10)	1
Z2210	.. Ressort robinet / valve intercomm. (10)	.. Spring I/C Valve (10)	1

**LISTE ARTICLES RECOMMANDES ARSENAL MK 3 GR
MK 3 GR SPARE PART RECOMMANDED NAVY WORKSHOP**

Code	Désignation	Designation	Qté / Qty
	Plancher	Floorboard	
Z3764	Volet élément avant MK3 noir	<i>Black Bow Floorboard Element MK3</i>	1
Z3765	Volet élément arrière MK3 noir	<i>Black Aft Floorboard Element MK3</i>	1
Z3531	Caillebotis MK3F 3636 élément 1 aluminium	<i>ALU Floorbaord Element 1 MK2F</i>	1
Z3532	Caillebotis MK3F 3636 élément 2 aluminium	<i>ALU Floorboard Element 2 MK3F</i>	1
Z3533	Caillebotis MK3F 3636 élément 3 aluminium	<i>ALU Floorboard Element 3 MK3F</i>	1
Z2877	Butée longeron (10)	<i>Plastic Washer For Stringer (10)</i>	1
Z3541	Kit bouchon caillebotis	<i>Floorboard Stopblock Kit GT</i>	1
Z3301	Kit bouchon rail	<i>Rail Stopblock Kit</i>	1
Z2878	Bouchon longeron GR R (10)	<i>Cap Stringer GR R (10)</i>	1
Z3530	Longeron GR R (L 1430 mm) aluminium	<i>Alu Stringer GR R (L 1430 mm)</i>	1
Z2878	Bouchon longeron GR R (10)	<i>Cap Stringer GR R (10)</i>	1
Z3554	Faux longerons avant MK3 GR (2)	<i>Bow False Stringer MK3 GR (2)</i>	1
	Accessoires	Accessories	
Z3792	Sac accessoires T2	<i>Bag Floorboard Size 2</i>	1
Z3790	Sac embarcation T3	<i>Carrying Boat Bag Size 3</i>	1
Z6732	Valise de réparation néoprène ZODIAC	<i>Repair Kit Neo ZODIAC</i>	1
Z1424	Indicateur de pression	<i>Pressure indicator</i>	2
Z6854	Raccord valve embarcation / tuyau de gonfleur	<i>Coupling Recessed Valve</i>	1
Z3891	Gonfleur à pied double débit	<i>Foot Pump Double Stage</i>	2
Z2908	Tuyau de gonfleur jaune 3891/2907	<i>Bellows Hose F/3891/2907</i>	3



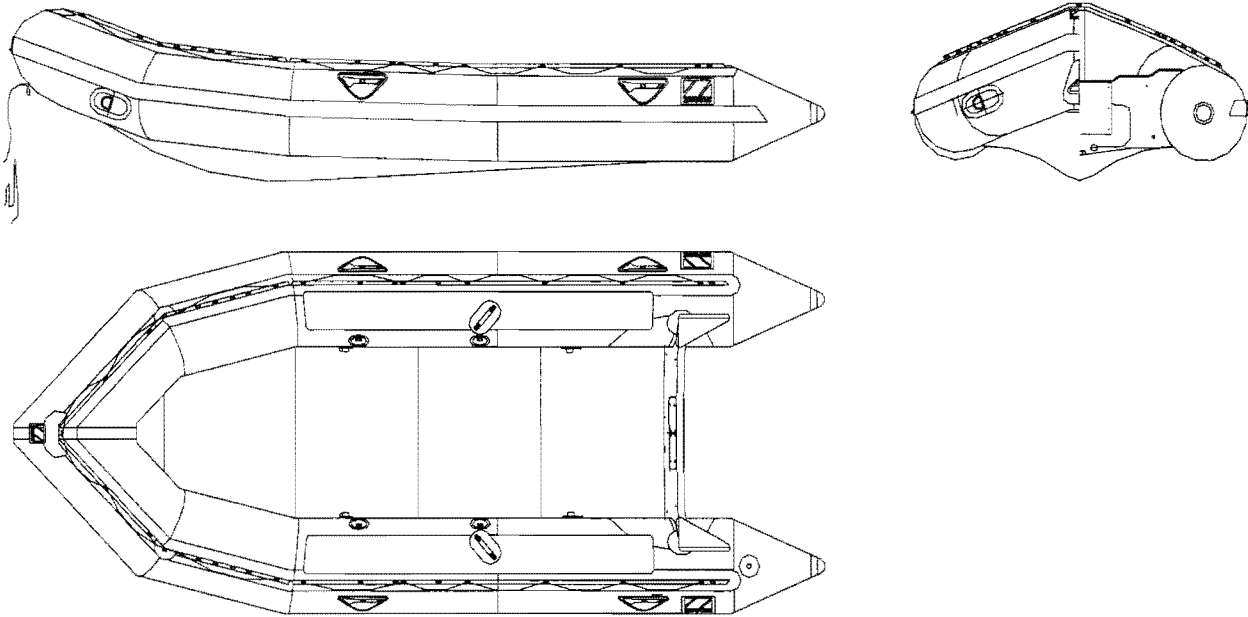
ZODIAC INTERNATIONAL

DIVISION MARINE

ZODIAC MARK III GRAND RAID

P/N Z0207

Rev 1 – 24 July 02
TECHNICAL DATA SHEET



Simple - strong and reliable

The Grand Raid name is almost as old as Zodiac itself and has gone through many design and feature evolutions to still be very relevant in today's market.

GR's form the backbone of many small boat fleets and are pretty much unique in its full equipment definition.

They continue to answer the needs of users worldwide.

The overall appearances of the watercraft depicted in this document are trademarks of Zodiac

THIS MATERIAL CONTAINS PROPRIETARY DATA BELONGING TO ZODIAC INTERNATIONAL . UNAUTHORIZED DISCLOSURE, USE OR REPRODUCTION WILL RESULT IN LIABILITY. ZODIAC RESERVES THE RIGHT TO CHANGE THE SPECIFICATIONS OF THIS TECHNICAL DATA SHEET WITHOUT NOTICE.

Erreur ! Argument de commutateur inconnu. Dimensions and weight + or - 3 % (5% on prototype)page Erreur ! Argument de commutateur inco



ZODIAC INTERNATIONAL

DIVISION MARINE

MK III GR BOAT DEFINITION

CAPACITY

. maximum number of persons (ISO6185) :	8	8
. maximum payload including engine and fuel (ISO6185) :	1270 kg	2800 lb
. floorboard usable area :	2.502 m ²	26.93 sq ft
. buoyancy tube volume :	1850 l	65.33 cu ft

DIMENSIONS

. overall length :	4.70 m	15'5"
. inside length :	3.05 m	10'
. overall width :	1.90 m	6'3"
. inside width :	0.90 m	2'11"
. weight empty :	110 kg	243 lb
. buoyancy tube diameter :	0.50 m	1'8"
. folded dimensions :	sac 1	1.45x0.75x0.52
	bag 1	4'9"x2'6"x1'8"
	sac 2	1.05x0.77x0.18
	bag 2	3'5"x2'6"x0'7"

SAFETY / INFLATION

. number of airtight compartments on main buoyancy tube :	5	5
. intercommunicating , inflation valves :	4	4
. inflatable keel :	1	1
. inflation pressure :	0.24 bar	3.4 psi

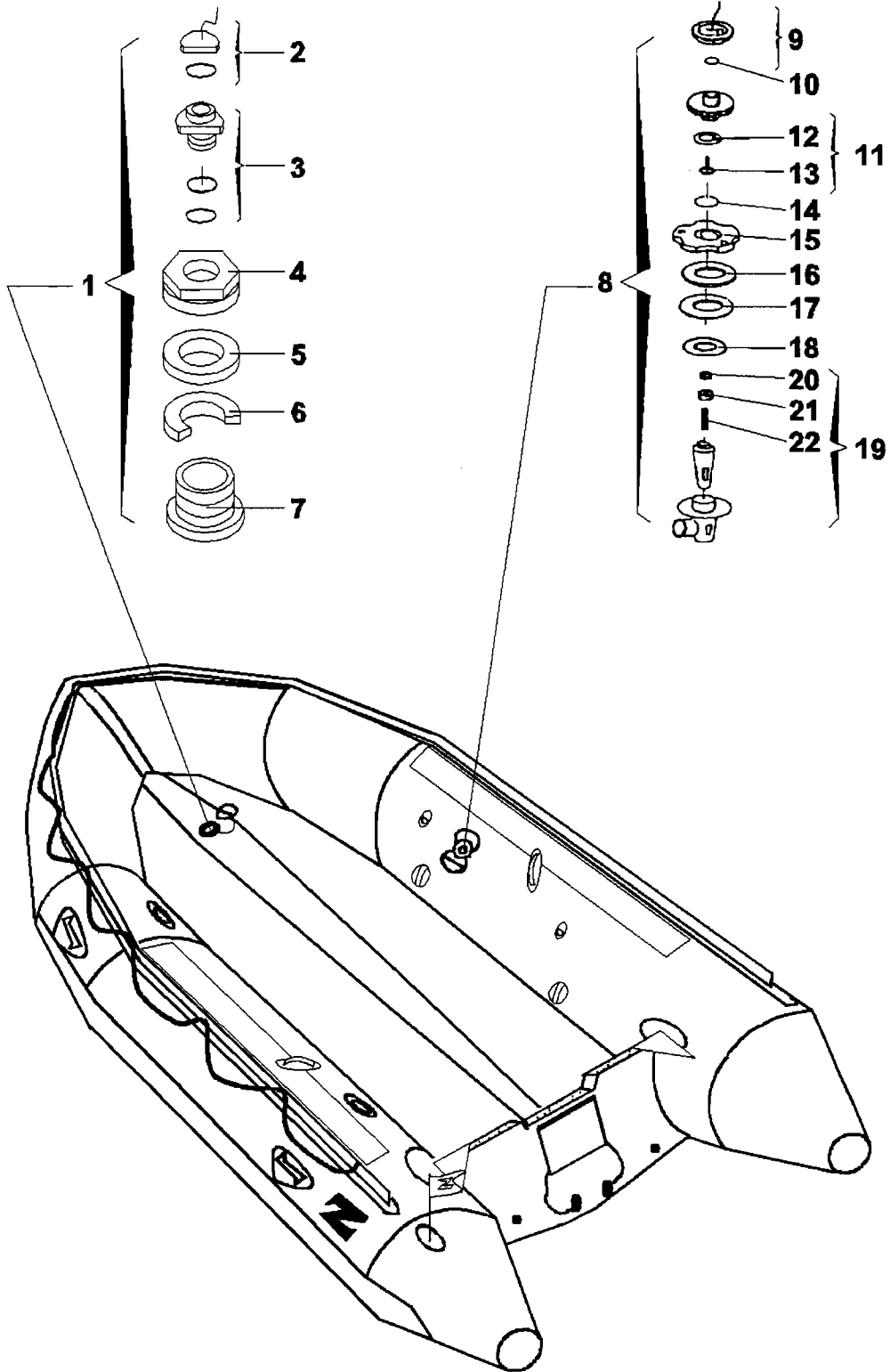
ENGINE POWER

. shaft length :	short	15"
. recommended power :	38 kW	50 HP
. maximum power :	49 kW	65 HP
. maximum engine weight :	110 Kg	243 lbs

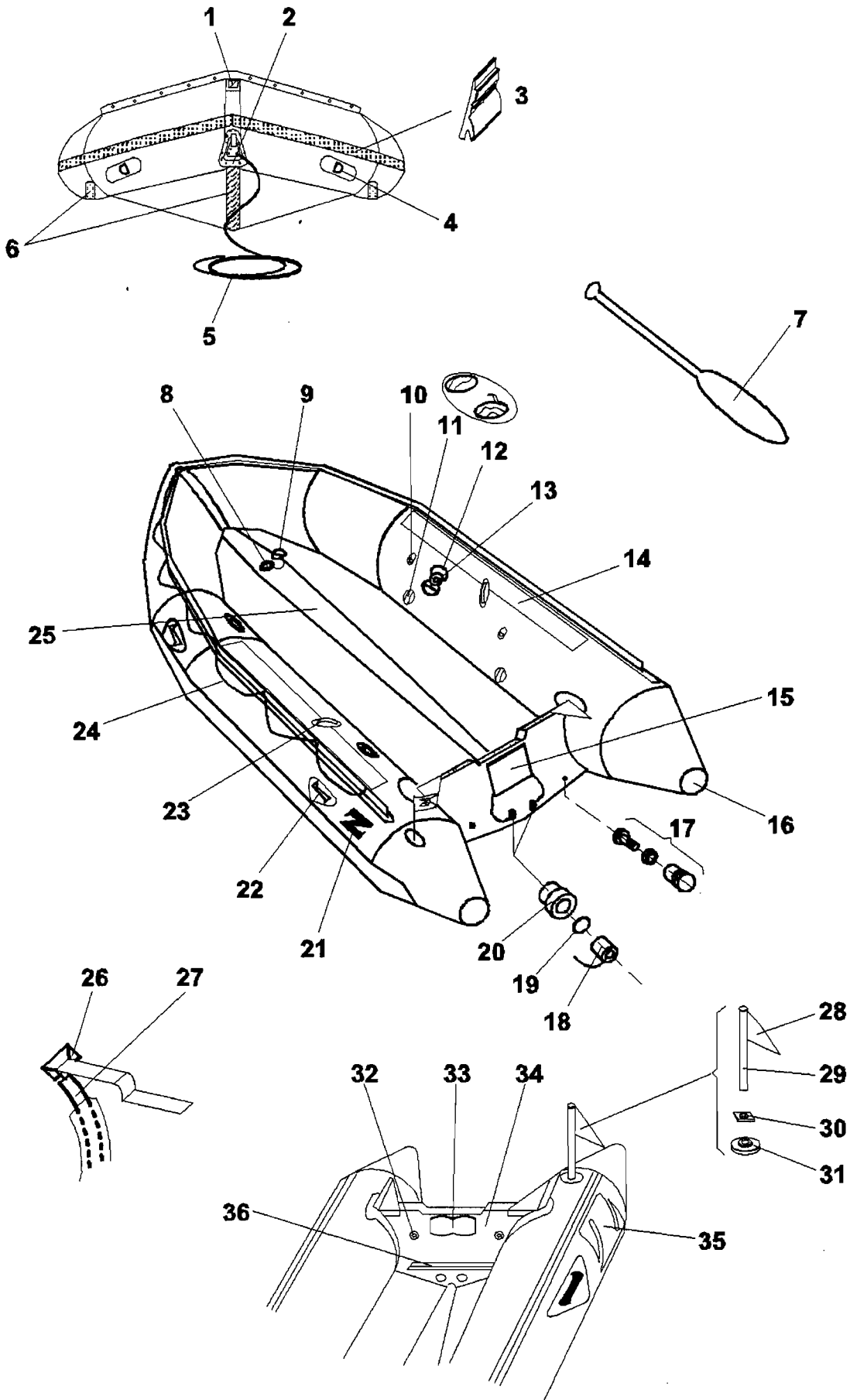
THIS MATERIAL CONTAINS PROPRIETARY DATA BELONGING TO ZODIAC INTERNATIONAL . UNAUTHORIZED DISCLOSURE, USE OR REPRODUCTION WILL RESULT IN LIABILITY. ZODIAC RESERVES THE RIGHT TO CHANGE THE SPECIFICATIONS OF THIS TECHNICAL DATA SHEET WITHOUT NOTICE.

Erreur ! Argument de commutateur inconnu. Dimensions and weight + or - 3 % (5% on prototype)page Erreur ! Argument de commutateur inconnu

Item	Designation	Code
23	Poignée maintien GR noire GR Handle	Z3784
24	Ligne de vie (flatline polyamide noire diam. 14) (25 m) <i>Flatline Black Polyamide Cord D14 (25 m)</i>	Z3019
25	Quille MK3 GR néo <i>Keel MK3 GR</i>	Z3500
26	Coin de tableau néo (jeu de 30) <i>Neo side transom (set of 30)</i>	Z3326
27	Profilé tableau néo 35 x 8 x 1 (2 m) <i>Rubbig Strake Trap (2 m)</i>	Z7016
28	Fanion ZODIAC (2) <i>Pennant ZODIAC (2)</i>	Z60028
29	Hampe fanion avec vis (5) <i>Pen Mast Base With Screw (5)</i>	Z2194
30	Ecrou embase hampe (10) <i>Nut Base Pen Mast (10)</i>	Z2189
31	Embase hampe (10) <i>Pennant Mast Base (10)</i>	Z2191
32	Rondelle appui (10) <i>Washer Inox, Transom (10)</i>	Z2241
33	Plaque support moteur MK3/4GR/4HD <i>Motor Transom Pad MK3GR/4GR/4HD</i>	Z2099
34	Tableau MK3 noir <i>Transom MK3GT/3GR Black</i>	Z3787
35	Sigle latéral ZODIAC <i>Logo ZODIAC Side</i>	Z60019
36	Barre de retenue caillebotis <i>Floorboard Retaining Batten</i>	Z3411
	Protection inox tableau MK2 / MK3 GR <i>Stainless steel transom protection MK2 / MK3 GR</i>	Z2253



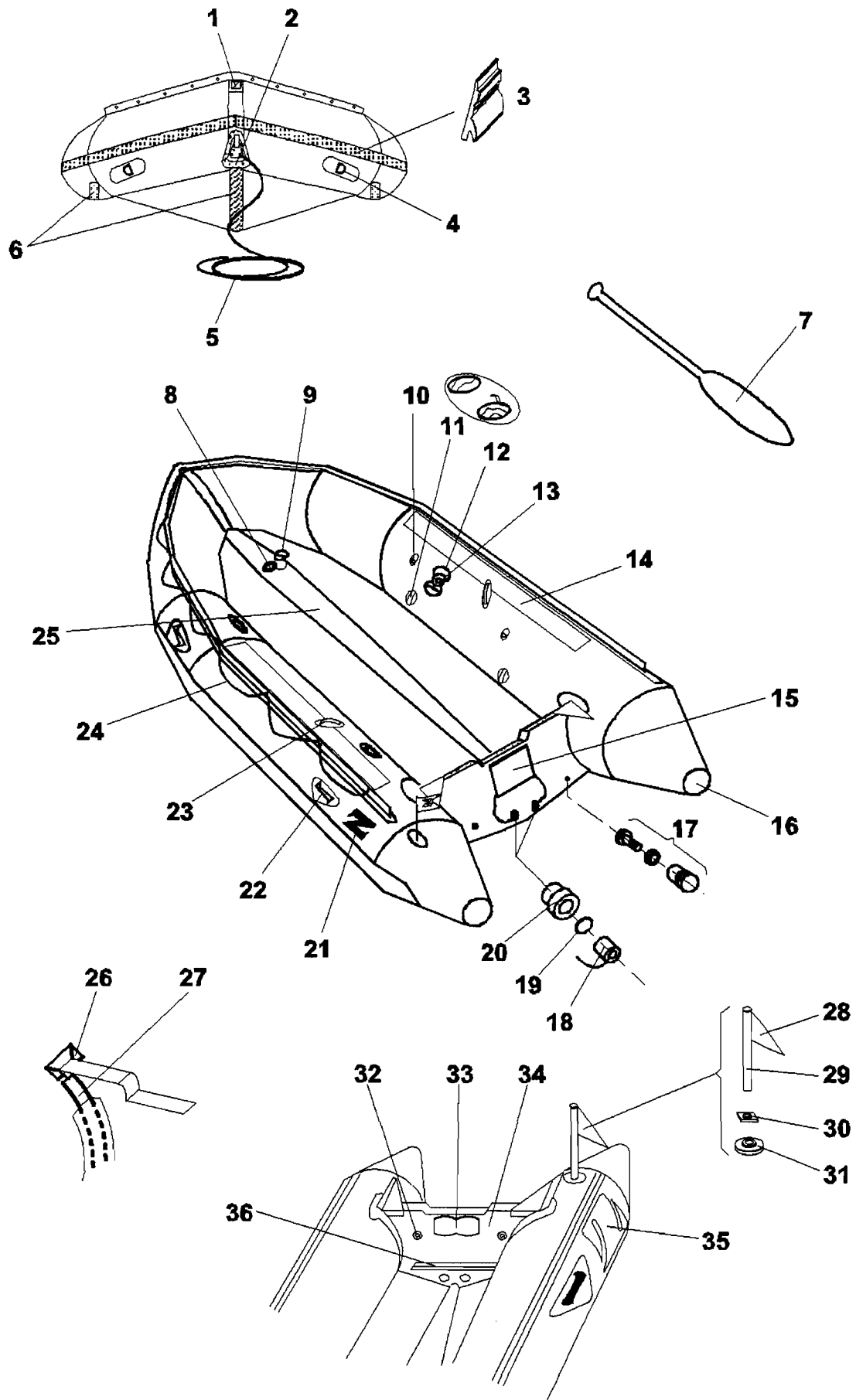
Rep.	Désignation	Référence
1	Sigle ZODIAC PM <i>Logo ZODIAC Bow</i>	Z60018
2	Poignée avant TRG noire STRG <i>Bow Carrying Handle Black NM</i>	Z2997
3	Profilé défense HD noir néo (15,4 m) <i>Fender HD Neo (15,4 m)</i>	Z3067
4	AD 53 noir ovale STR (2) <i>53 D Ring Oval. Black STR (2)</i>	Z2999
5	Corde d'amarrage D14 noire (25 m) <i>Black Polyamide Cord D14 (25 m)</i>	Z3289
6	Profilé d'échouage 60 x 3 néo (11,5 m) <i>Rubbing Strake 60X3 Neo (11,5 m)</i>	Z3873
7	Pagaie vernie <i>Varnished Paddle (1M40)</i>	Z2156
8	Valve de gonflement (voir détail page suivante) <i>Inflation valve (see details on following page)</i>	-
9	Poche valve de gonflement noire <i>Black Valve Pocket</i>	Z2226
10	AD 25 noir rond (6) <i>Black D Ring 25 mm (6)</i>	Z6167
11	Support pagaie (jeu de deux éléments) <i>Wooden Paddle Support Black Fabric (set of two element)</i>	Z2590
12	Capuchon robinet gris (10) <i>I/C Valve Cover (10)</i>	Z2222
13	Robinet d'intercommunication (voir détail page suivante) <i>I/C Valve (see details following page)</i>	-
14	Antidérapant GR (200 mm / ML) <i>Non Slip Band GR (200 mm / ML)</i>	Z7153
15	Plaque tableau MK3 GR Noire <i>Black Wooden Transom Pad MKIII GR</i>	Z3729
16	Bouchon de cône néo noir <i>Moulded Aft Cone Hyp/Neo</i>	Z2600
17	Kit ferrure de roue <i>Kit Lock Plate Wheel</i>	Z2862
18	Bouchon vide vite équipé (10) <i>Plug Self Bailer (10)</i>	Z2221
19	Membrane vide vite (20) <i>Self Bailer Diaphragm (20)</i>	Z2204
20	Embase vide vite équipée (10) <i>Self Bailer Base (10)</i>	Z2218
21	Sigle ZODIAC latéral <i>Logo Zodiac Side</i>	Z60019
22	Poignée latérale droite noire <i>Carry Handle Black Right</i>	Z2994
	Poignée latérale gauche noire <i>Carry Handle Black Left</i>	Z2995



MK 3 GR

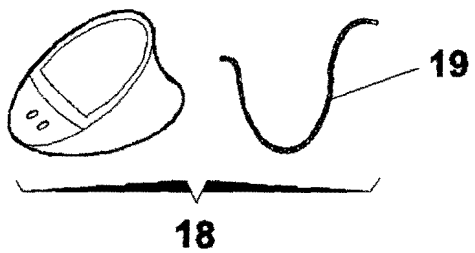
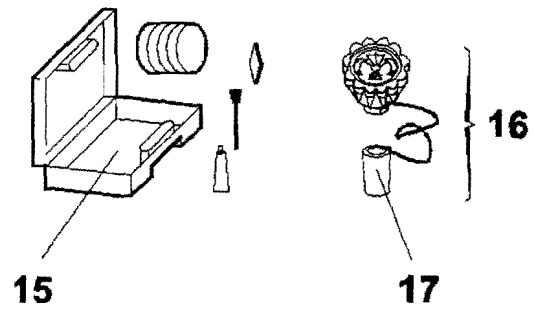
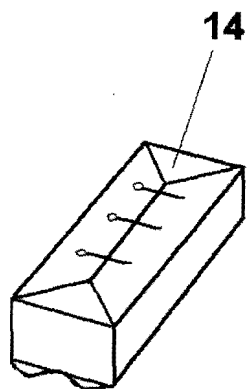
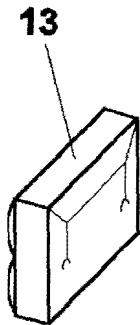
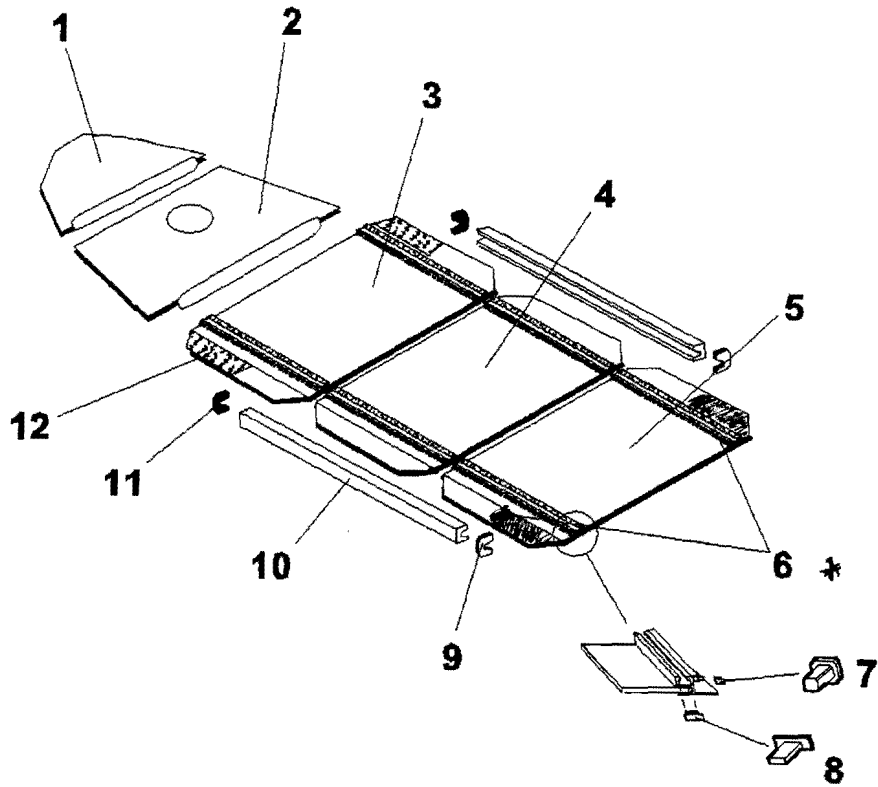
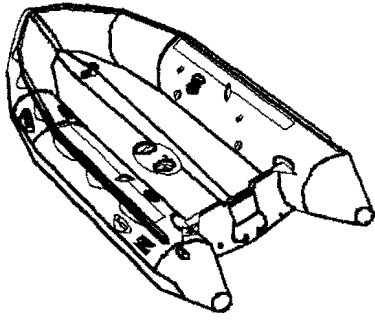
**LISTE DES
PIECES DETACHEES**

SPARES PARTS LIST



Item	Designation	Code
1	Clapet de gonflement quille <i>Keel inflation valve</i>	-
2	. Bouchon clapet DELRIN (10) . <i>Cap Black Valve (10)</i>	Z2846
3	. Support clapet DELRIN (10) . <i>DELRIN Black Valve (10)</i>	Z2847
4	. Ecrou embase DELRIN (10) . <i>DELRIN Collar Nut (10)</i>	Z3292
5	. Rondelle embase DELRIN (10) . <i>Gasket Insert DELRIN Base (10)</i>	Z3293
6	. Joint embase clapet (25) . <i>Gasket Insert Base Neoprene (25)</i>	Z3001
7	. Embase femelle carré DELRIN (10) . <i>DELRIN Valve Insert Base (10)</i>	Z3294
8	Valve d'intercommunication <i>I/C Valve</i>	-
9	. Bouchon clapet nickelé / valve d'intercom. (10) . <i>Cap Nickel Plate Valve (10)</i>	Z2108
10	.. Joint bouchon clapet nickelé / valve d'intercomm. (20) .. <i>Gasket Valve Cap (20)</i>	Z2213
11	. Corps de clapet nickelé / valve d'intercomm. (10) . <i>Valve Nickel Plate (10)</i>	Z2107
12	.. Joint plat corps de clapet (10) .. <i>Gasket Metal Valve (10)</i>	Z2864
13	.. Membrane clapet (30) .. <i>Diaphragm Valve Insert (30)</i>	Z2195
14	. Jonc volant robinet d'intercommunication (10) . <i>Ring I/C Valve (10)</i>	Z2240
15	. Volant nickelé robinet d'intercommunication (10) . <i>Nickel Plate Fly Wheel (10)</i>	Z2109
16	. Ecrou robinet d'intercommunication (10) . <i>Nut I/C Valve Base (10)</i>	Z2237
17	. Rondelle robinet d'intercommunication (10) . <i>Washer I/C Valve (10)</i>	Z2238
18	. Joint néoprène 65 x 36 x 1 (25) . <i>Gasket Valve (25)</i>	Z3000
19	. Robinet assemblé valve d'intercommunication . <i>Intercommunicating Valve</i>	Z2239
20	.. Ecrou frein D6 / valve d'intercommunication (10) .. <i>SIMMONDS Nut Valve (10)</i>	Z2208
21	.. Rondelle / ressort robinet (10) .. <i>Gasket Cap Spring (10)</i>	Z2236
22	.. Ressort robinet / valve intercommunication (10) .. <i>Spring I/C Valve (10)</i>	Z2210

* ERROR : THIS BOAT HAS FALSE STRINGERS AND NOT THE PLASTIC DISC



Item	Designation	Code
1	Volet élément avant MK3 noir <i>Black Bow Floorboard Element MK3</i>	Z3764
2	Volet élément arrière MK3 noir <i>Black Aft Floorboard Element MK3</i>	Z3765
3	Caillebotis MK3F 3636 élément 1 aluminium <i>ALU Floorboard Element 1 MK2F</i>	Z3531
4	Caillebotis MK3F 3636 élément 2 aluminium <i>ALU Floorboard Element 2 MK3F</i>	Z3532
5	Caillebotis MK3F 3636 élément 3 aluminium <i>ALU Floorboard Element 3 MK3F</i>	Z3533
6 *	Butée longeron (10) AFT FALSE STRINGER (2) Plastic Washer For Stringer (10)	Z2877 Z2133
7	Kit bouchon caillebotis <i>Floorboard Stopblock Kit GT</i>	Z3541
8	Kit bouchon rail <i>Rail Stopblock Kit</i>	Z3301
9	Bouchon longeron GR R (10) <i>Cap Stringer GR R (10)</i>	Z2878
10	Longeron GR R (L 1430 mm) aluminium <i>Alu Stringer GR R (L 1430 mm)</i>	Z3530
11	Bouchon longeron GR R (10) <i>Cap Stringer GR R (10)</i>	Z2878
12	Faux longerons avant MK3 GR (2) <i>Bow False Stringer MK3 GR (2)</i>	Z3554
13	Sac accessoires T2 <i>Bag Floorboard Size 2</i>	Z3792
14	Sac embarcation T3 <i>Carrying Boat Bag Size 3</i>	Z3790
15	Valise de réparation néoprène ZODIAC <i>Repair Kit Neo ZODIAC</i>	Z6732
16	Indicateur de pression <i>Pressure indicator</i>	Z1424
17	Raccord valve embarcation / tuyau de gonfleur <i>Coupling Recessed Valve</i>	Z6854
18	Gonfleur à pied double débit <i>Foot Pump Double Stage</i>	Z3891
19	Tuyau de gonfleur jaune 3891/2907 <i>Bellows Hose F/3891/2907</i>	Z2908